

# 3mm Round Red & White LED

OSRWJ23132A

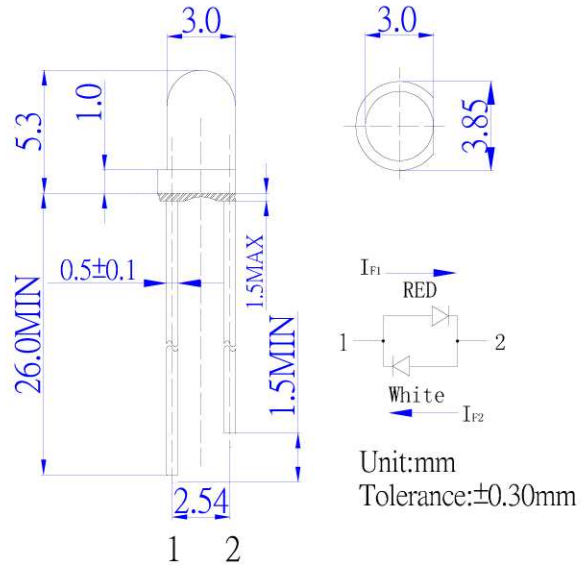
## ■Features

- High Luminous LEDs
- 3mm Round Standard Directivity
- Long Lifetime Operation
- Superior Weather-resistance
- UV Resistant Epoxy/ White Diffused Type
- Bi-Color AC LED

## ■Applications

- Toys
- Audio
- Games
- Other Lighting

## ■Outline Dimension



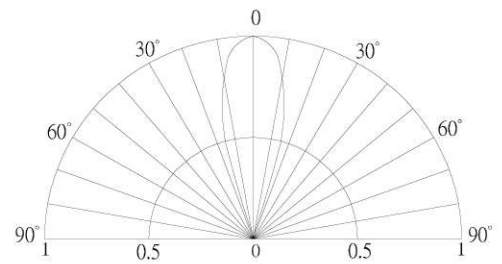
## ■Absolute Maximum Rating

( $T_a=25^\circ\text{C}$ )

Item	Symbol	Value		Unit
		RED	White	
DC Forward Current	$I_F$	30	30	mA
Pulse Forward Current*	$I_{FP}$	100	100	mA
Reverse Voltage	$V_R$	5	5	V
Power Dissipation	$P_D$	78	108	mW
Operating Temperature	$T_{opr}$	-30 ~ +85		$^\circ\text{C}$
Storage Temperature	$T_{stg}$	-40 ~ +100		$^\circ\text{C}$
Lead Soldering Temperature	$T_{sol}$	260 $^\circ\text{C}$ /5sec		-

\*Pulse width Max.10ms Duty ratio max 1/10

## ■Directivity



## ■Electrical -Optical Characteristics

( $T_a=25^\circ\text{C}$ )

Item	NO.	Symbol	Condition	Min.	Typ.	Max.	Unit
DC Forward Voltage	RED	$V_{F1}$	$I_{F1}=20\text{mA}$	1.8	2.1	2.6	V
	White	$V_{F2}$	$I_{F2}=20\text{mA}$	2.9	3.1	3.6	V
Domi. Wavelength*	RED	$\lambda_{D1}$	$I_{F1}=20\text{mA}$	620	625	630	nm
	White	CCT	$I_{F2}=20\text{mA}$	10000K		-	-
Luminous Intensity*	RED	$I_{v1}$	$I_{F1}=20\text{mA}$	100	150	-	mcd
	White	$I_{v2}$	$I_{F2}=20\text{mA}$	500	750	-	mcd
50% Power Angle	RED	$2\theta_{1/2}$	$I_{F1}=20\text{mA}$	-	30	-	deg
	White	$2\theta_{1/2}$	$I_{F2}=20\text{mA}$	-	30	-	deg

\*Tolerance of dominant chromaticity is ±10%

\*2 Tolerance of luminous intensity is ±15%

LED & Application Technologies

