

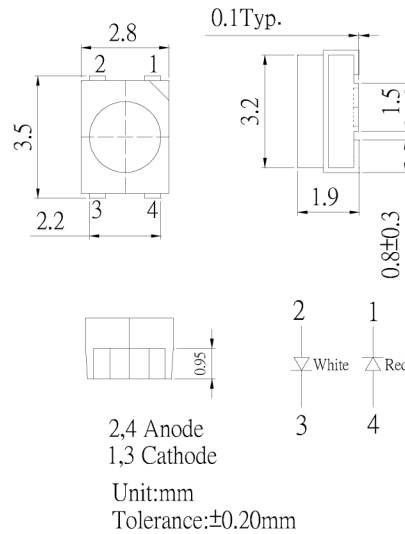
# 3.5x2.8x1.9mm Red & White SMD LED

OSRWY4S2C1A

## ■Features

- High Luminous PLCC4 Top SMD LEDs
- 3.5x2.8x1.9mm Standard Directivity
- Superior Weather-resistance
- UV Resistant Epoxy
- Water Clear Type

## ■Outline Dimension



## ■Applications

- Toys
- Audio
- Games
- Other Lighting

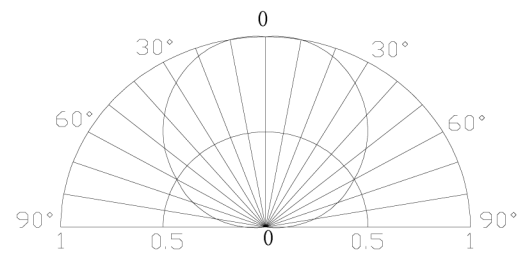
## ■Absolute Maximum Rating

(Ta=25°C)

Item	Symbol	Value		Unit
		Red	White	
DC Forward Current	I <sub>F</sub>	30	30	mA
Pulse Forward Current*	I <sub>FP</sub>	100	100	mA
Reverse Voltage	V <sub>R</sub>	5	5	V
Power Dissipation	P <sub>D</sub>	78	78	mW
Operating Temperature	Topr	-30 ~ +85		°C
Storage Temperature	Tstg	-40~ +100		°C
Lead Soldering Temperature	Tsol	260°C/5sec		-

\*Pulse width Max.10ms Duty ratio max 1/10

## ■Directivity



## ■Electrical -Optical Characteristics

(Ta=25°C)

Item	Symbol	Condition	Min.	Typ.	Max.	Unit
DC Forward Voltage	V <sub>F</sub> (Red)	I <sub>F</sub> =20mA	1.8	2.1	2.6	V
	V <sub>F</sub> (W)	I <sub>F</sub> =20mA	2.9	3.1	3.6	V
DC Reverse Current	I <sub>R</sub>	V <sub>R</sub> =5V	-	-	10	μA
Domi. Wavelength*	λ <sub>D</sub> (Red)	I <sub>F</sub> =20mA	620	625	630	nm
	CCT(W)	I <sub>F</sub> =20mA	10000K		-	-
Luminous Intensity*	I <sub>v</sub> (Red)	I <sub>F</sub> =20mA	200	300	-	mcd
	I <sub>v</sub> (W)	I <sub>F</sub> =20mA	300	500	-	mcd
50% Power Angle	2θ <sub>1/2</sub>	I <sub>F</sub> =20mA	-	120	-	deg

\*1 Tolerance of dominant wavelength is ±1nm

\*2 Tolerance of luminous intensity is ±15%

LED & Application Technologies

